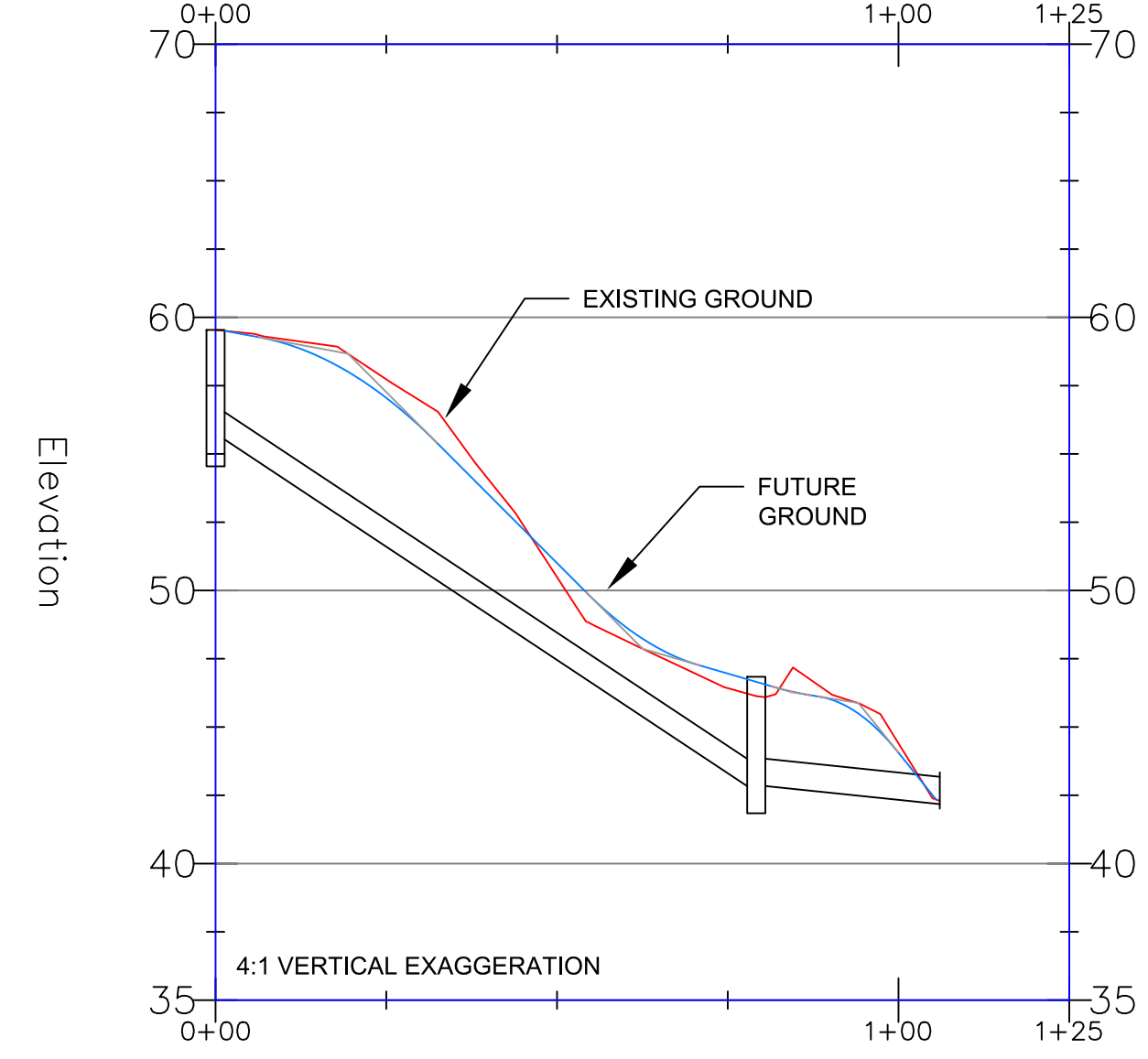
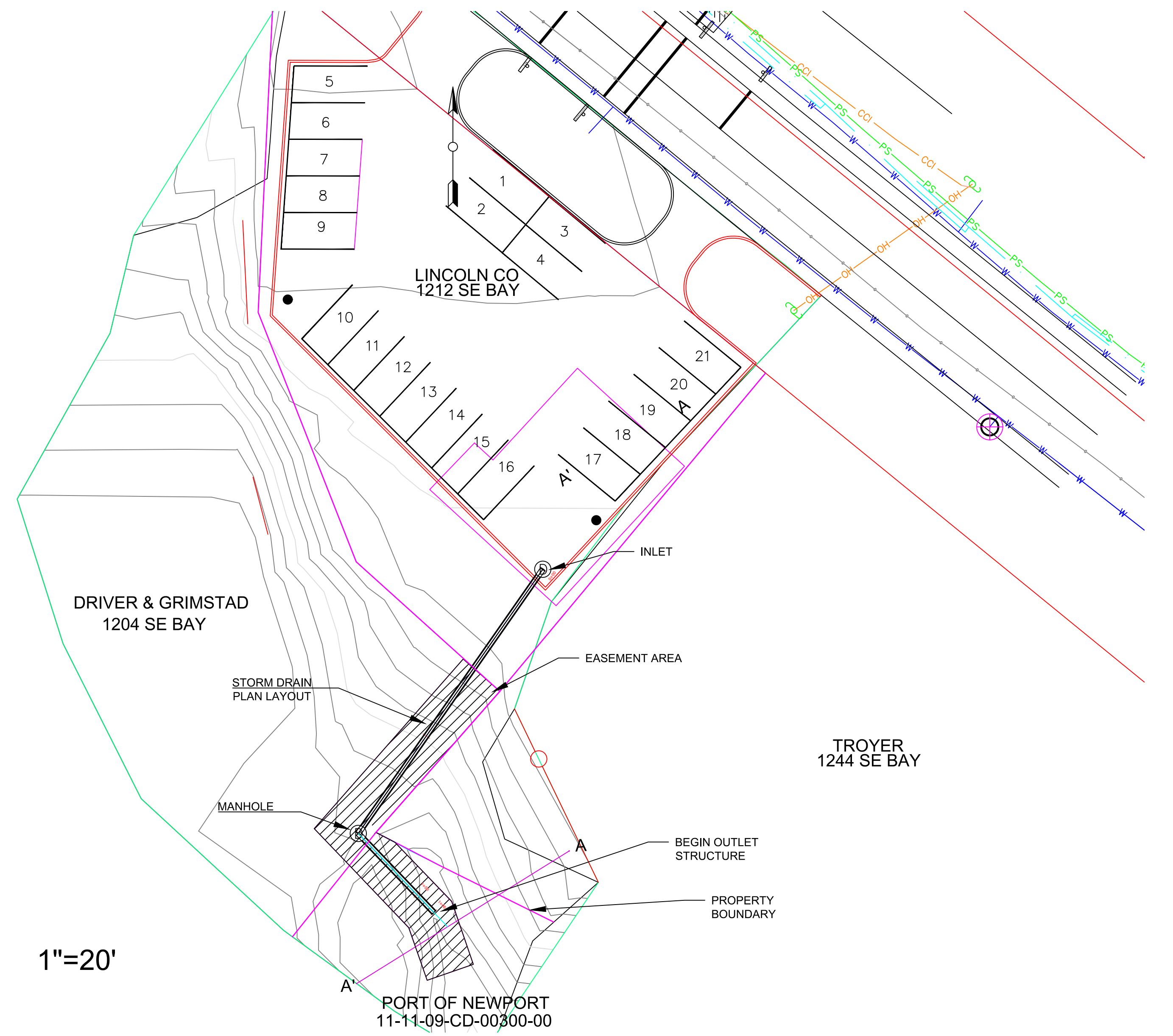


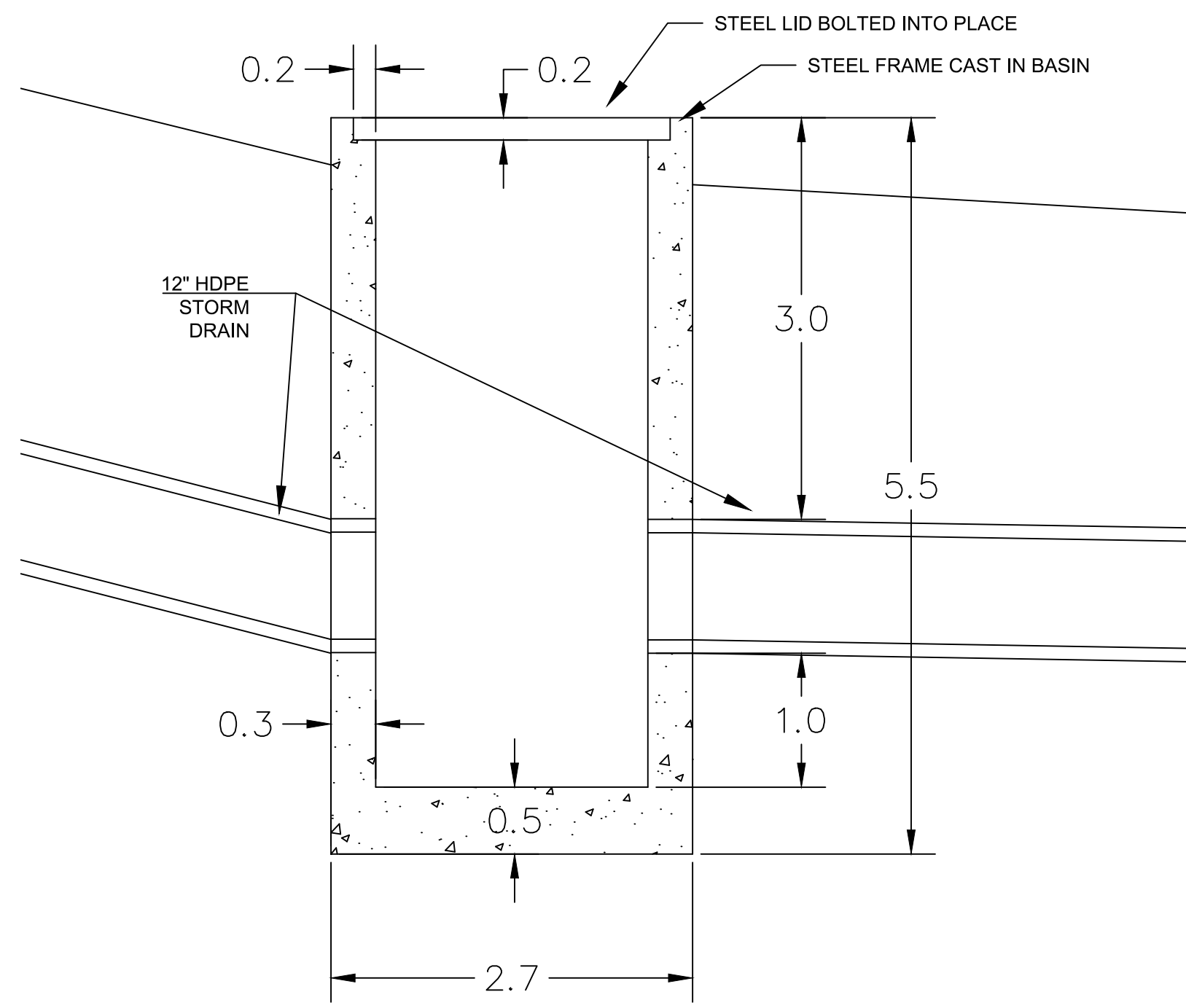
INLET
(SEE RD378)



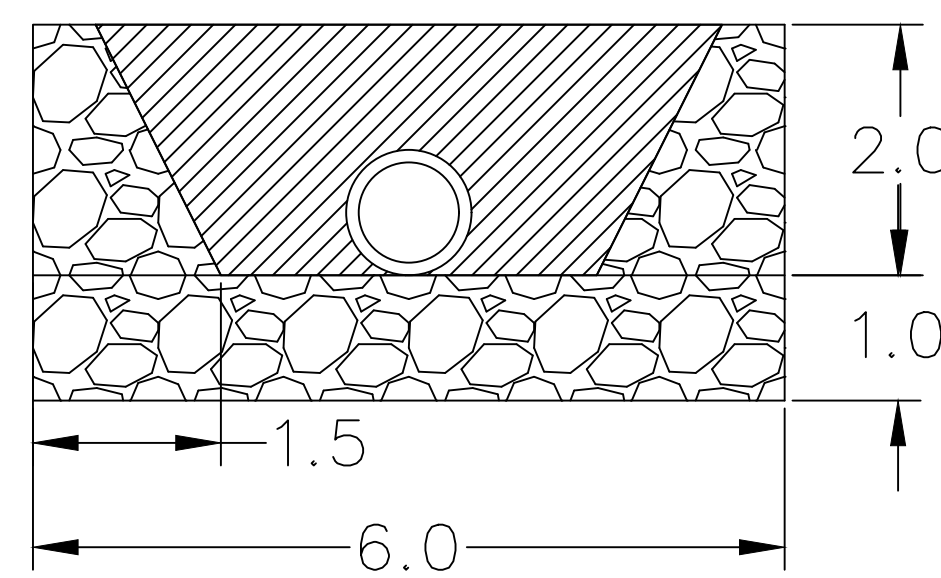
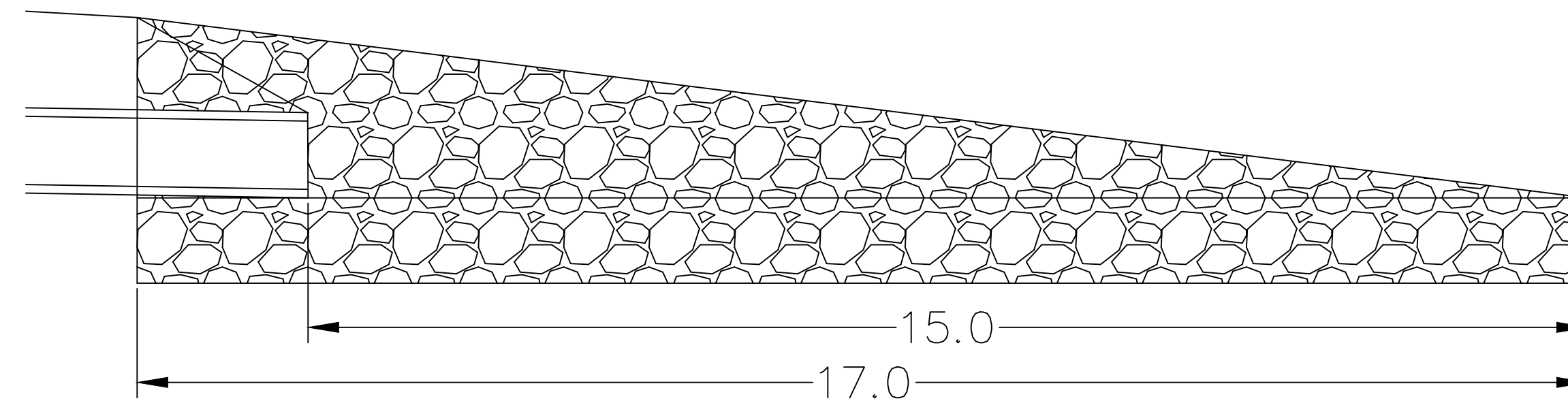
STORM DRAIN PROFILE.



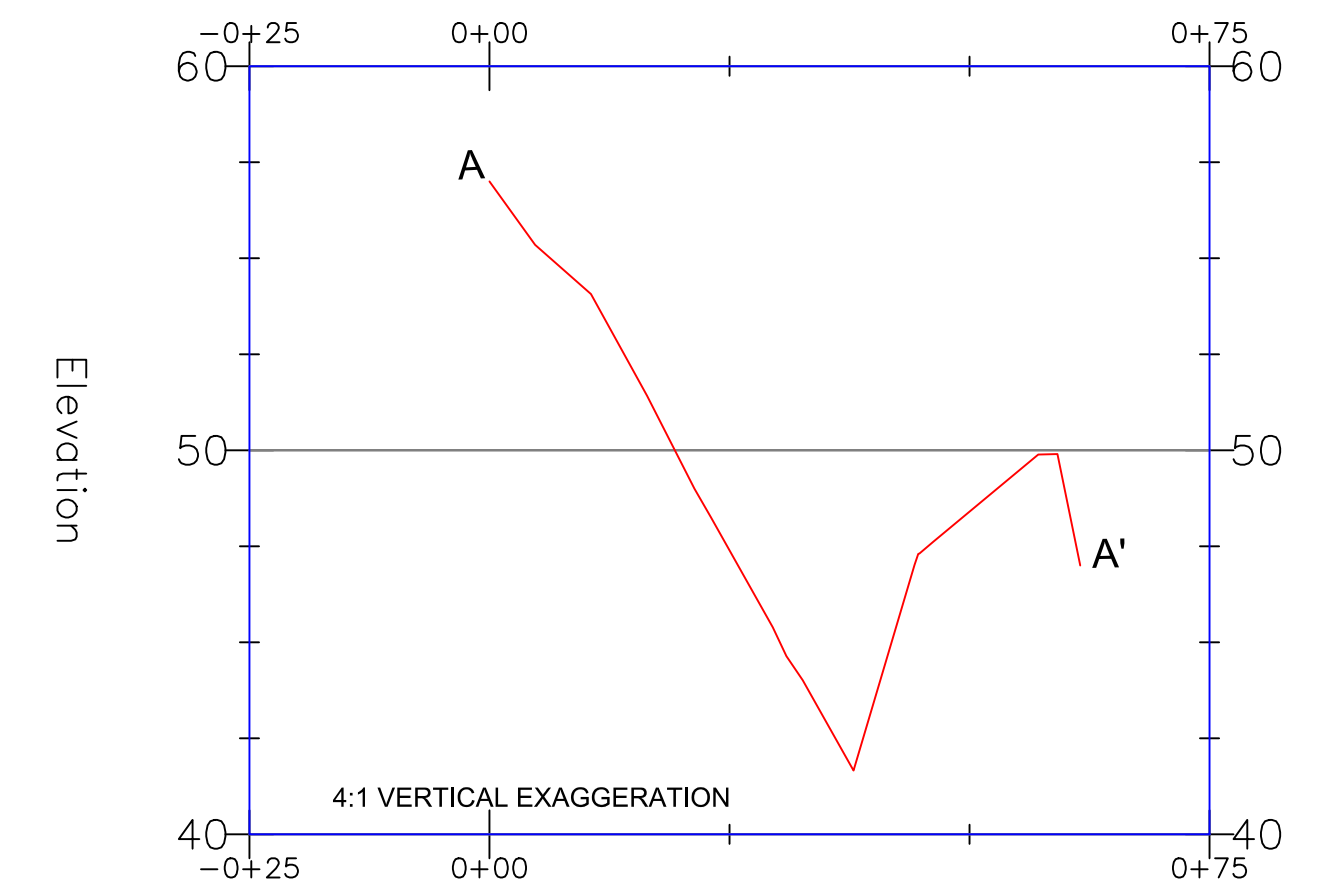
1"=20'



MANHOLE
(SEE RD378)



OUTLET
(SEE RD317)



SWALE PROFILE